

Serial Comm®
Data Conversion Experts

MODEL: TTL-232-33P

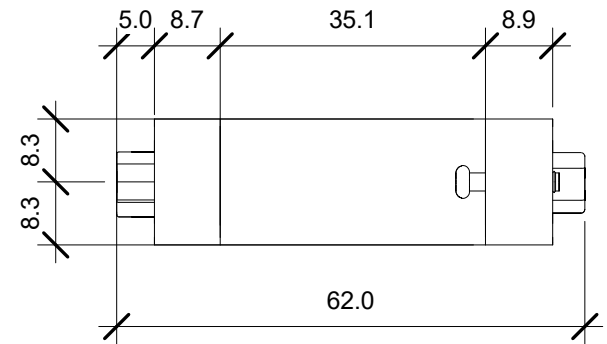
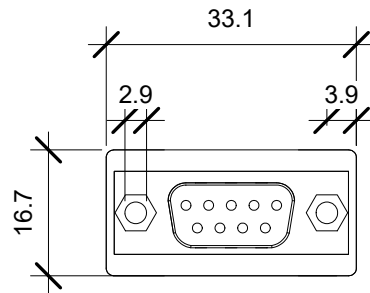
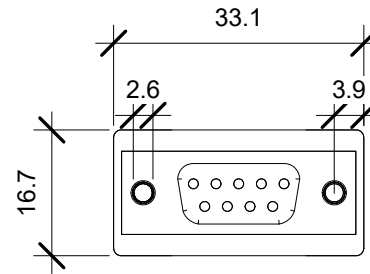
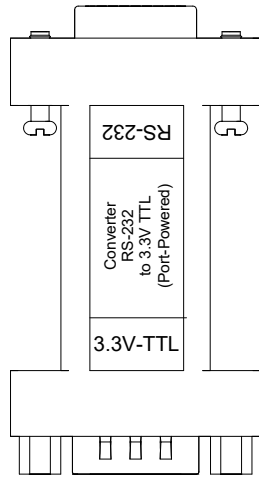
DESCRIPTION: RS232 to 3.3V TTL (5-Position Terminal Block)

SCALE: 1:1

UNIT: mm

ISSUE DATE: 11/06/2016

REV. NO.: 1.00



Serial Comm®
Data Conversion Experts

MODEL: TTL-232-33P

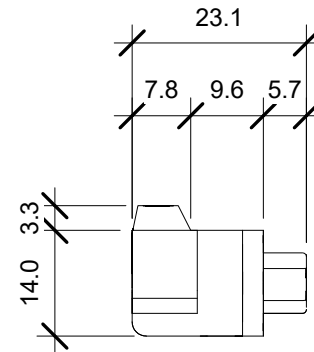
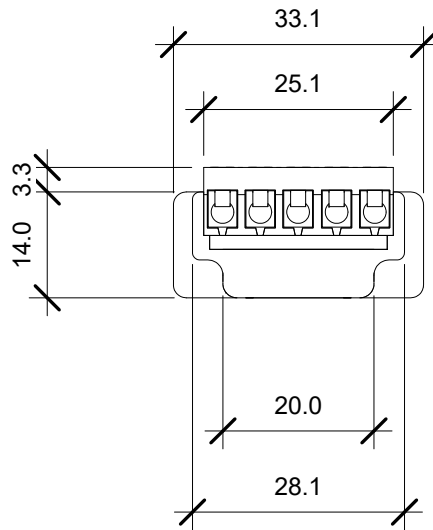
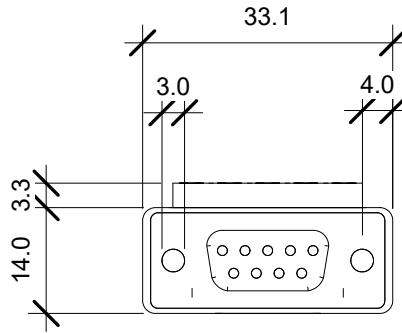
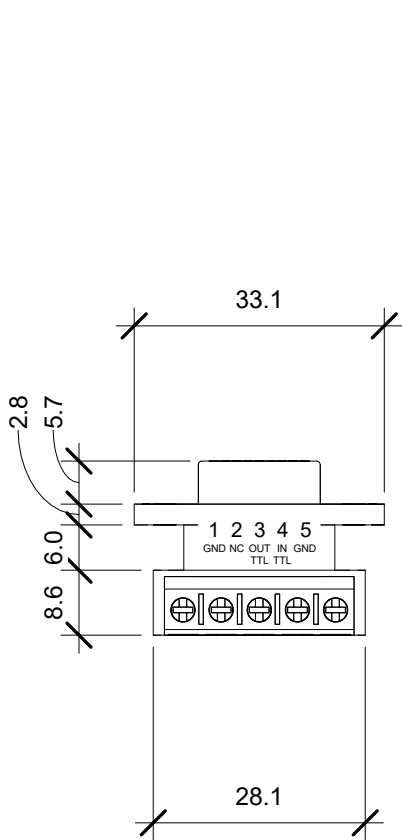
DESCRIPTION: RS232 to 3.3V TTL (No Terminal Block)

SCALE: 1:1

UNIT: mm

ISSUE DATE: 11/06/2016

REV. NO.: 1.00



Serial Comm®
Data Conversion Experts

MODEL: TTL-232-33P

DESCRIPTION: 5-Position Terminal Block

SCALE: 1:1

UNIT: mm

ISSUE DATE: 11/06/2016

REV. NO.: 1.00