

Serial Comm®
Data Conversion Experts

MODEL: REP-232-7P

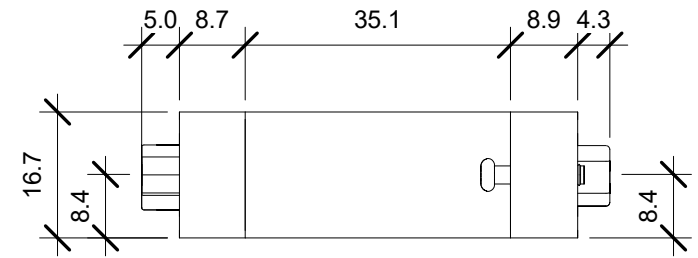
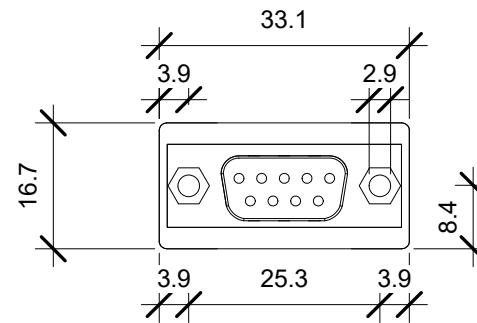
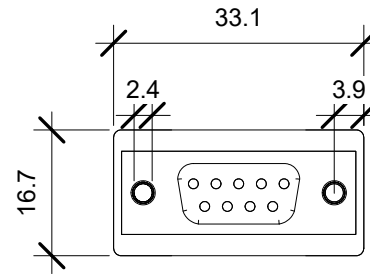
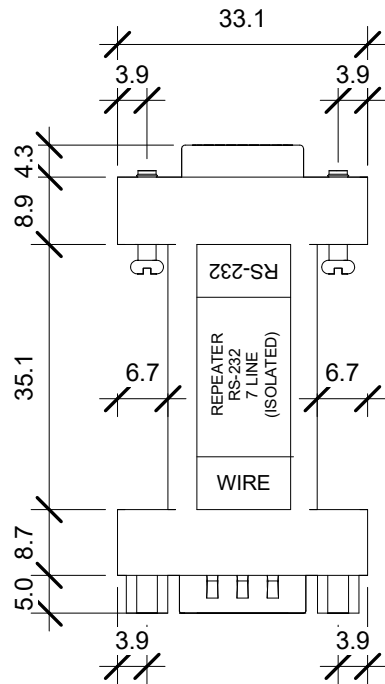
DESCRIPTION: 7-Wire RS232 Repeater (7-Position Terminal Block)

SCALE: 1:1

UNIT: mm

ISSUE DATE: 11/08/2016

REV. NO.: 1.00



Serial Comm®
Data Conversion Experts

MODEL: REP-232-7P

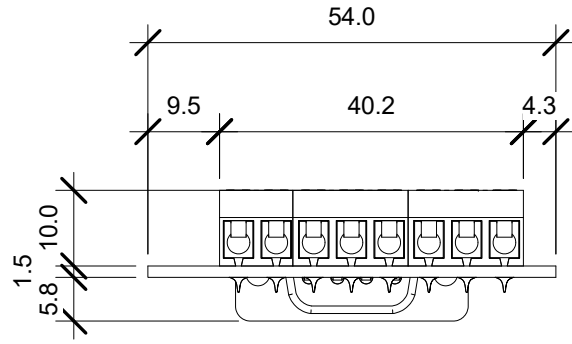
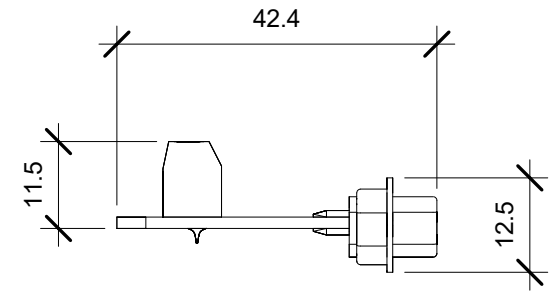
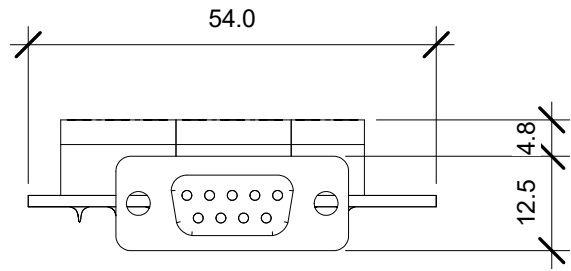
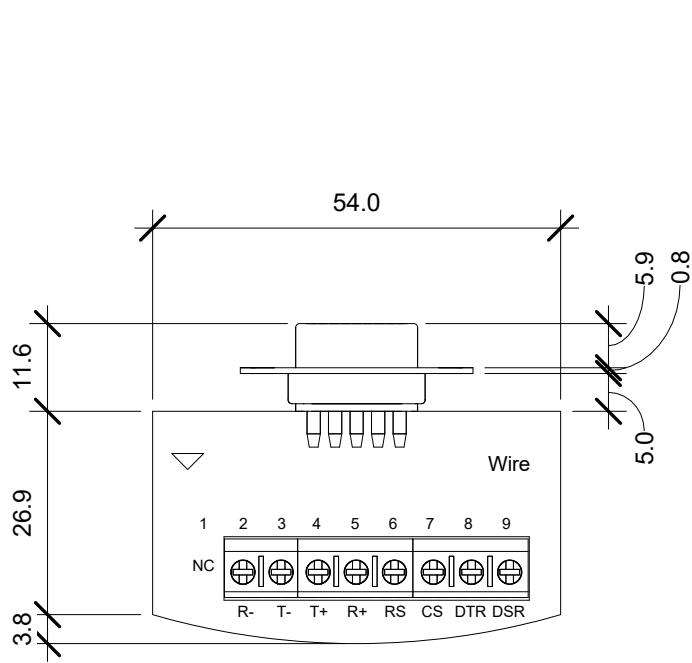
DESCRIPTION: 7-Wire RS232 Repeater (No Terminal Block)

SCALE: 1:1

UNIT: mm

ISSUE DATE: 11/08/2016

REV. NO.: 1.00



Serial Comm®
Data Conversion Experts

MODEL: REP-232-7P

DESCRIPTION: 7-Position Terminal Block

SCALE: 1:1

UNIT: mm

ISSUE DATE: 11/08/2016

REV. NO.: 1.00